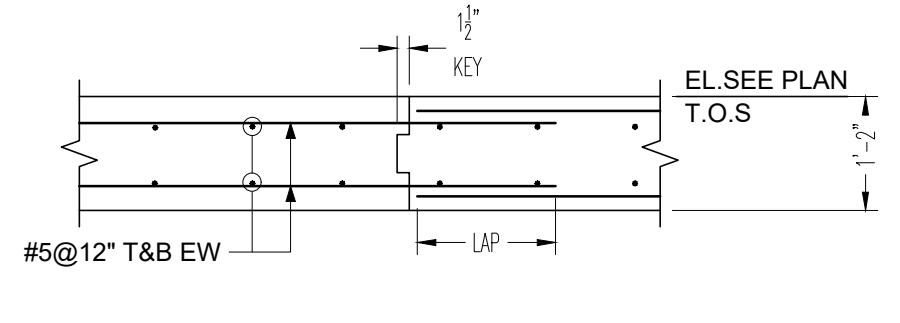
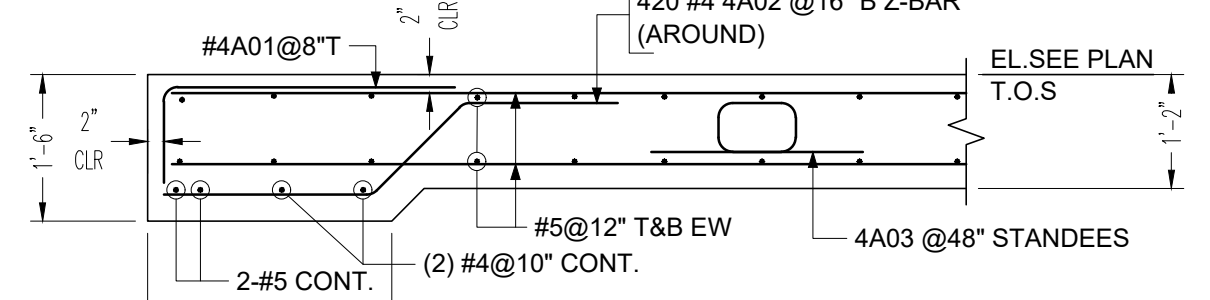


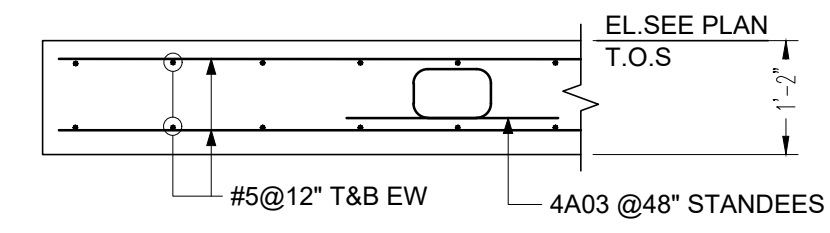
SECTION 3
SCALE: 1/2" = 1'-0"
REF: 6/005-02



KEYED CONSTRUCTION JOINT (KCJ)
SCALE: 1/2" = 1'-0"
REF: 9/005-02



SECTION 1
SCALE: 1/2" = 1'-0"
REF: 005-05A



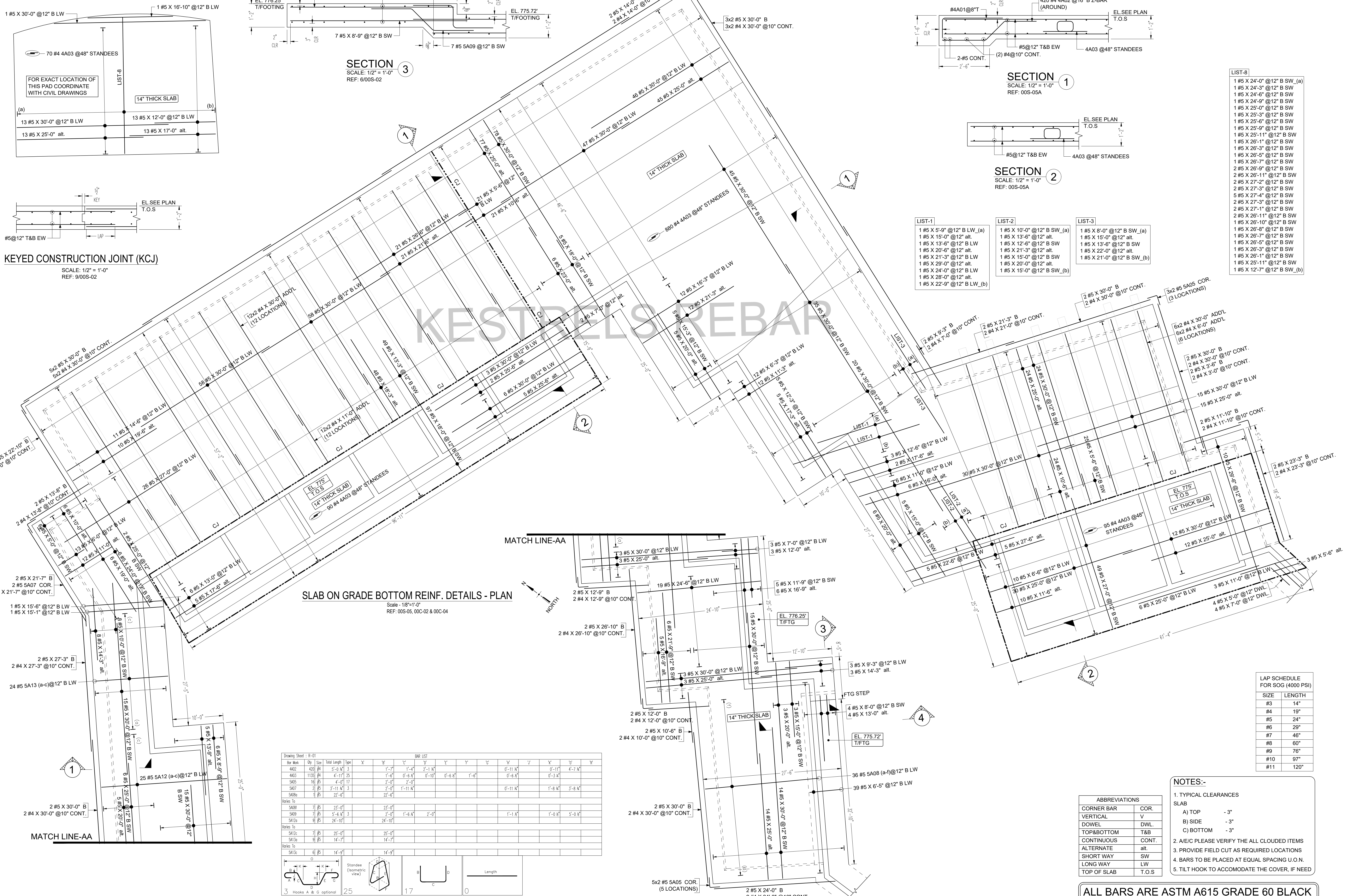
SECTION 2
SCALE: 1/2" = 1'-0"
REF: 005-05A

- LIST-8**
- 1 #5 X 24'-0" @ 12" B SW (a)
 - 1 #5 X 24'-3" @ 12" B SW
 - 1 #5 X 24'-6" @ 12" B SW
 - 1 #5 X 24'-9" @ 12" B SW
 - 1 #5 X 25'-0" @ 12" B SW
 - 1 #5 X 25'-3" @ 12" B SW
 - 1 #5 X 25'-6" @ 12" B SW
 - 1 #5 X 25'-9" @ 12" B SW
 - 1 #5 X 25'-11" @ 12" B SW
 - 1 #5 X 26'-1" @ 12" B SW
 - 1 #5 X 26'-3" @ 12" B SW
 - 1 #5 X 26'-5" @ 12" B SW
 - 1 #5 X 26'-7" @ 12" B SW
 - 2 #5 X 26'-9" @ 12" B SW
 - 2 #5 X 26'-11" @ 12" B SW
 - 2 #5 X 27'-2" @ 12" B SW
 - 2 #5 X 27'-3" @ 12" B SW
 - 2 #5 X 27'-5" @ 12" B SW
 - 2 #5 X 27'-7" @ 12" B SW
 - 2 #5 X 26'-11" @ 12" B SW
 - 1 #5 X 26'-10" @ 12" B SW
 - 1 #5 X 26'-5" @ 12" B SW
 - 1 #5 X 26'-7" @ 12" B SW
 - 1 #5 X 26'-9" @ 12" B SW
 - 1 #5 X 26'-11" @ 12" B SW
 - 1 #5 X 26'-3" @ 12" B SW
 - 1 #5 X 26'-1" @ 12" B SW
 - 1 #5 X 25'-11" @ 12" B SW
 - 1 #5 X 25'-1" @ 12" B SW
 - 1 #5 X 12'-7" @ 12" B SW (b)

- LIST-1**
- 1 #5 X 5'-9" @ 12" B LW (a)
 - 1 #5 X 15'-0" @ 12" alt.
 - 1 #5 X 13'-6" @ 12" alt.
 - 1 #5 X 20'-6" @ 12" alt.
 - 1 #5 X 21'-3" @ 12" B LW
 - 1 #5 X 29'-0" @ 12" alt.
 - 1 #5 X 24'-0" @ 12" B LW
 - 1 #5 X 28'-0" @ 12" alt.
 - 1 #5 X 22'-9" @ 12" B LW (b)

- LIST-2**
- 1 #5 X 10'-0" @ 12" B SW (a)
 - 1 #5 X 13'-6" @ 12" alt.
 - 1 #5 X 12'-6" @ 12" B SW
 - 1 #5 X 21'-3" @ 12" alt.
 - 1 #5 X 15'-0" @ 12" B SW
 - 1 #5 X 22'-0" @ 12" alt.
 - 1 #5 X 15'-0" @ 12" B SW (b)

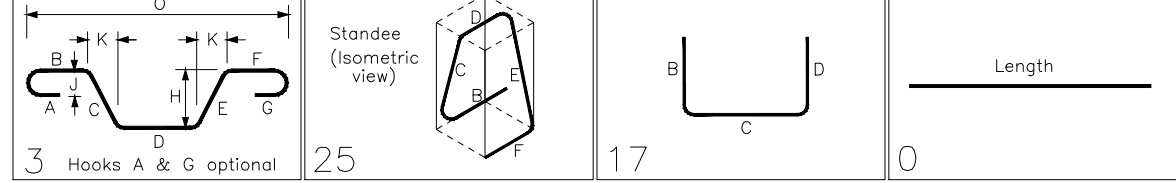
- LIST-3**
- 1 #5 X 8'-0" @ 12" B SW (a)
 - 1 #5 X 15'-0" @ 12" alt.
 - 1 #5 X 13'-6" @ 12" B SW
 - 1 #5 X 22'-0" @ 12" alt.
 - 1 #5 X 21'-0" @ 12" B SW (b)



SLAB ON GRADE BOTTOM REINF. DETAILS - PLAN
Scale: 1/8" = 1'-0"
REF: 005-05, 00C-02 & 00C-04

Drawing Sheet: R-01

Bar Mark	Qty	Size	Total Length	Type	X	Y	X	Y	X	Y	X	Y	X	Y
4A02	420	#4	5'-0"	3	1'-7"	1'-4"	2'-1"	1'-4"	0'-11"	0'-11"	4'-7"	0'-11"	4'-7"	0'-11"
4A03	1135	#4	4'-11"	25	1'-6"	0'-6"	0'-10"	0'-6"	1'-6"	0'-6"	0'-6"	0'-6"	0'-6"	0'-6"
5A05	16	#5	4'-0"	17	2'-0"	2'-0"	0'-10"	0'-6"	1'-6"	0'-6"	0'-6"	0'-6"	0'-6"	0'-6"
5A07	2	#5	3'-11"	3	2'-0"	1'-11"	0'-11"	0'-11"	1'-8"	3'-8"	0'-11"	0'-11"	0'-11"	0'-11"
5A08a	1	#5	22'-6"	22'-6"	22'-6"	22'-6"	22'-6"	22'-6"	22'-6"	22'-6"	22'-6"	22'-6"	22'-6"	22'-6"
Notes To:														
5A09	7	#5	23'-0"	23'-0"	23'-0"	23'-0"	23'-0"	23'-0"	23'-0"	23'-0"	23'-0"	23'-0"	23'-0"	23'-0"
5A09	7	#5	5'-6"	3	2'-0"	1'-6"	2'-0"	1'-6"	1'-6"	1'-6"	1'-6"	1'-6"	1'-6"	1'-6"
5A12a	9	#5	24'-10"	24'-10"	24'-10"	24'-10"	24'-10"	24'-10"	24'-10"	24'-10"	24'-10"	24'-10"	24'-10"	24'-10"
Notes To:														
5A12c	7	#5	25'-0"	25'-0"	25'-0"	25'-0"	25'-0"	25'-0"	25'-0"	25'-0"	25'-0"	25'-0"	25'-0"	25'-0"
5A13a	9	#5	14'-7"	14'-7"	14'-7"	14'-7"	14'-7"	14'-7"	14'-7"	14'-7"	14'-7"	14'-7"	14'-7"	14'-7"
Notes To:														
5A13c	6	#5	14'-9"	14'-9"	14'-9"	14'-9"	14'-9"	14'-9"	14'-9"	14'-9"	14'-9"	14'-9"	14'-9"	14'-9"



LAP SCHEDULE FOR SOG (4000 PSI)

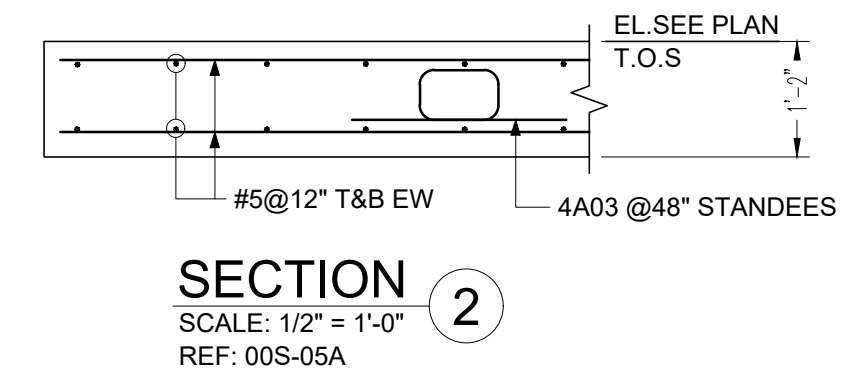
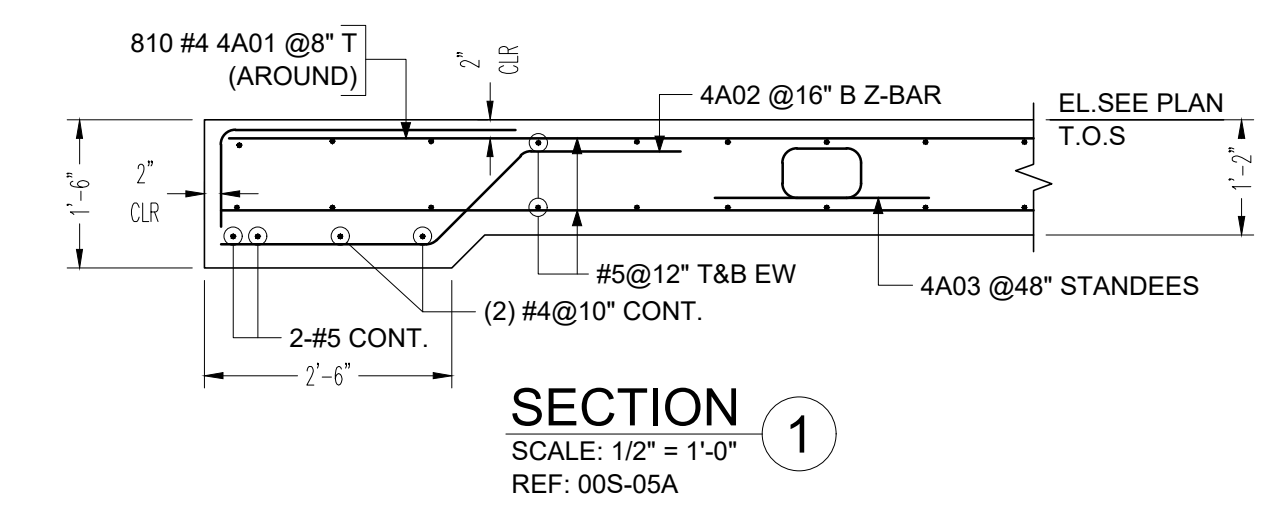
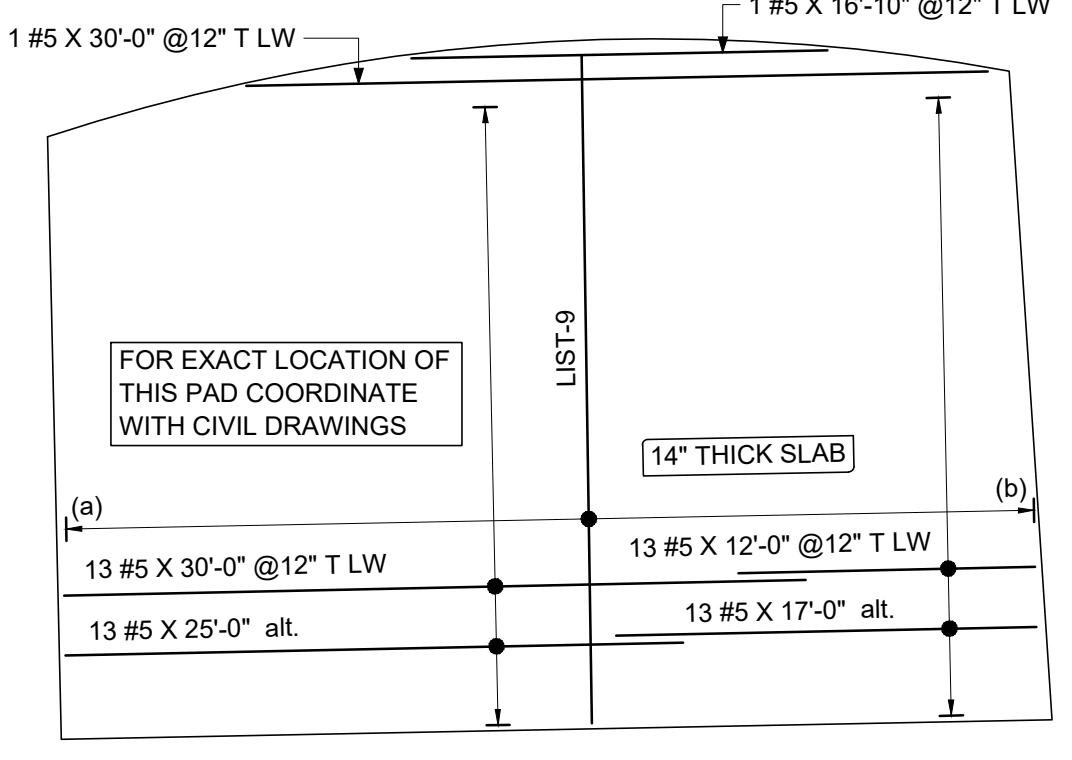
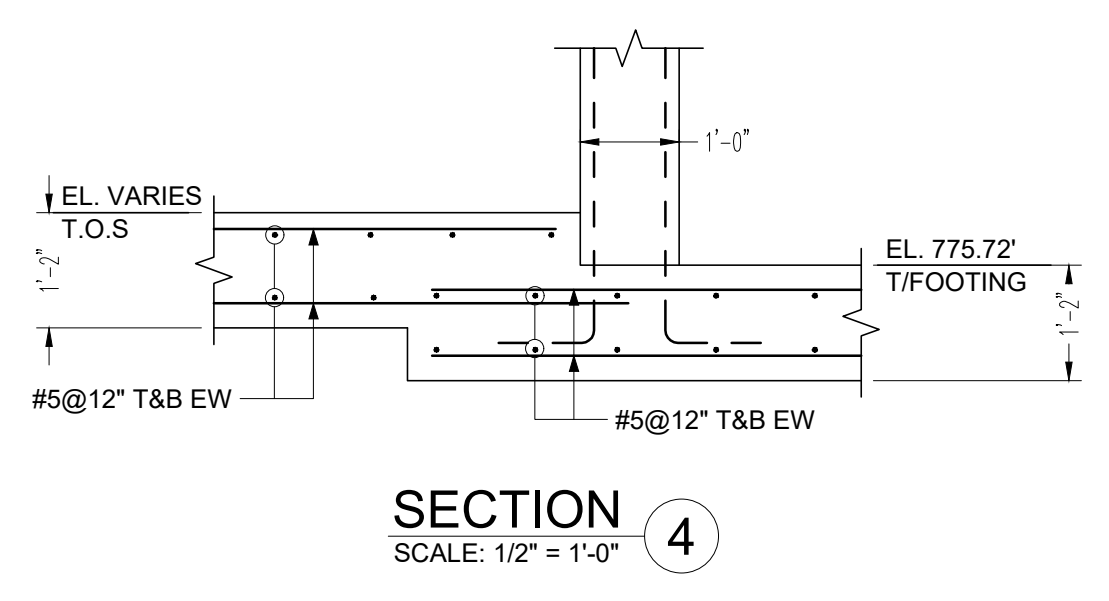
SIZE	LENGTH
#3	14"
#4	19"
#5	24"
#6	29"
#7	46"
#8	60"
#9	76"
#10	97"
#11	120"

- NOTES:-**
- TYPICAL CLEARANCES SLAB
 - A) TOP - 3"
 - B) SIDE - 3"
 - C) BOTTOM - 3"
 - A/E/C PLEASE VERIFY THE ALL CLOUDED ITEMS
 - PROVIDE FIELD CUT AS REQUIRED LOCATIONS
 4. BARS TO BE PLACED AT EQUAL SPACING U.O.N.
 5. TILT HOOK TO ACCOMMODATE THE COVER, IF NEEDED

ABBREVIATIONS

CORNER BAR	COR.
VERTICAL	V
DOWEL	DWL.
TOP/BOTTOM	T&B
CONTINUOUS	CONT.
ALTERNATE	alt.
SHORT WAY	SW
LONG WAY	LW
TOP OF SLAB	T.O.S

ALL BARS ARE ASTM A615 GRADE 60 BLACK



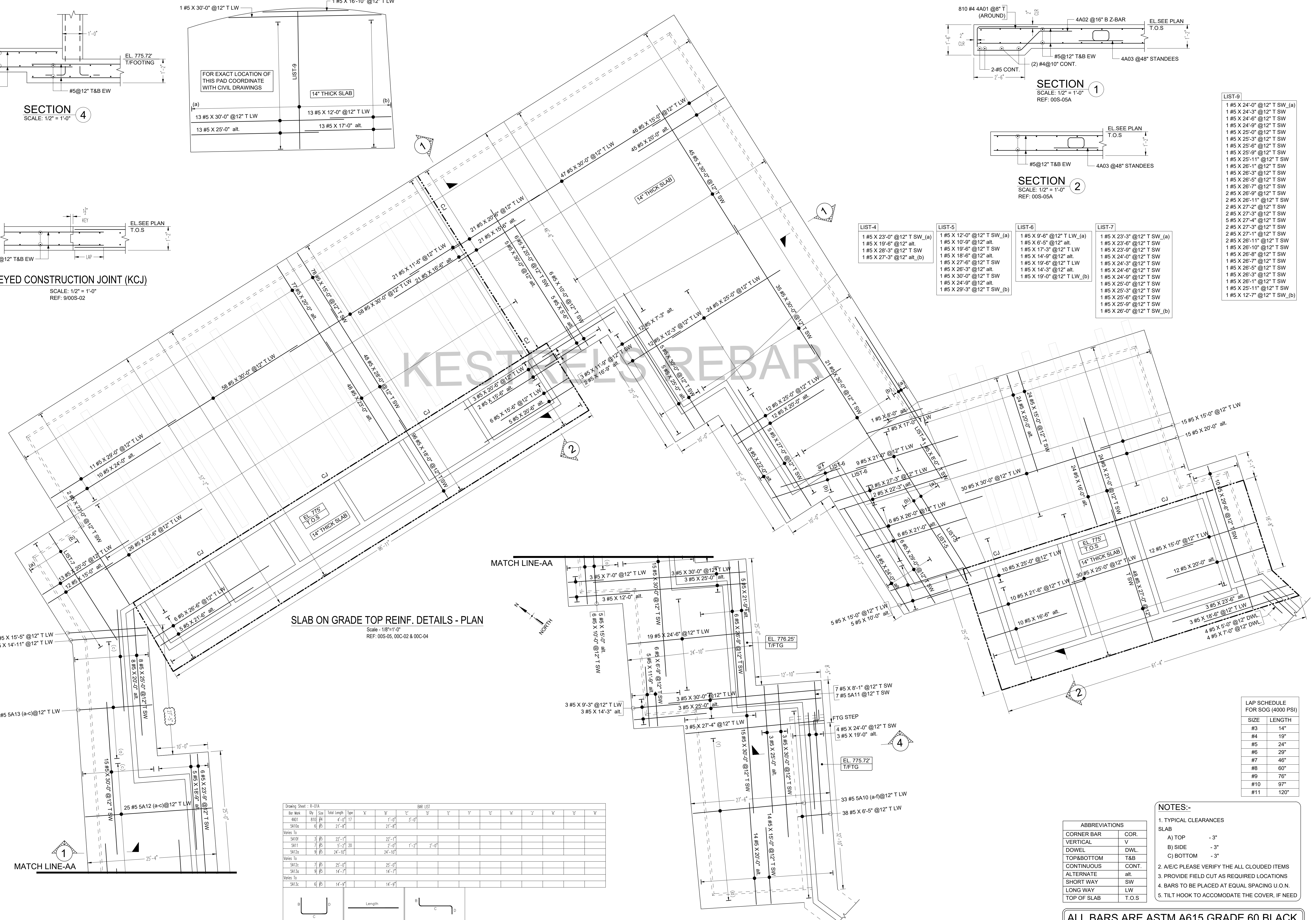
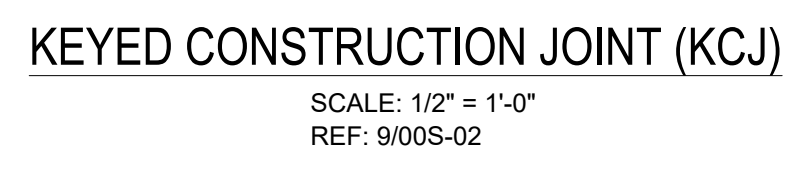
- LIST-9**
- 1 #5 X 24'-0" @12" T SW_(a)
 - 1 #5 X 24'-3" @12" T SW
 - 1 #5 X 24'-6" @12" T SW
 - 1 #5 X 24'-9" @12" T SW
 - 1 #5 X 25'-0" @12" T SW
 - 1 #5 X 25'-3" @12" T SW
 - 1 #5 X 25'-6" @12" T SW
 - 1 #5 X 25'-9" @12" T SW
 - 1 #5 X 25'-11" @12" T SW
 - 1 #5 X 26'-1" @12" T SW
 - 1 #5 X 26'-3" @12" T SW
 - 1 #5 X 26'-5" @12" T SW
 - 1 #5 X 26'-7" @12" T SW
 - 2 #5 X 26'-9" @12" T SW
 - 2 #5 X 26'-11" @12" T SW
 - 2 #5 X 27'-2" @12" T SW
 - 2 #5 X 27'-3" @12" T SW
 - 5 #5 X 27'-4" @12" T SW
 - 2 #5 X 27'-3" @12" T SW
 - 2 #5 X 27'-1" @12" T SW
 - 2 #5 X 26'-11" @12" T SW
 - 1 #5 X 26'-10" @12" T SW
 - 1 #5 X 26'-8" @12" T SW
 - 1 #5 X 26'-7" @12" T SW
 - 1 #5 X 26'-5" @12" T SW
 - 1 #5 X 26'-3" @12" T SW
 - 1 #5 X 26'-1" @12" T SW
 - 1 #5 X 25'-11" @12" T SW
 - 1 #5 X 25'-9" @12" T SW
 - 1 #5 X 25'-6" @12" T SW
 - 1 #5 X 25'-3" @12" T SW
 - 1 #5 X 24'-9" @12" T SW
 - 1 #5 X 24'-6" @12" T SW
 - 1 #5 X 24'-3" @12" T SW
 - 1 #5 X 24'-0" @12" T SW
 - 1 #5 X 23'-9" @12" T SW
 - 1 #5 X 23'-6" @12" T SW
 - 1 #5 X 23'-3" @12" T SW
 - 1 #5 X 23'-0" @12" T SW
 - 1 #5 X 19'-6" @12" T SW
 - 1 #5 X 19'-3" @12" T SW
 - 1 #5 X 19'-0" @12" T SW
 - 1 #5 X 18'-6" @12" T SW
 - 1 #5 X 18'-3" @12" T SW
 - 1 #5 X 18'-0" @12" T SW
 - 1 #5 X 17'-3" @12" T LW
 - 1 #5 X 14'-9" @12" T SW
 - 1 #5 X 14'-6" @12" T SW
 - 1 #5 X 14'-3" @12" T SW
 - 1 #5 X 14'-0" @12" T SW
 - 1 #5 X 13'-6" @12" T SW
 - 1 #5 X 13'-3" @12" T SW
 - 1 #5 X 13'-0" @12" T SW
 - 1 #5 X 12'-7" @12" T SW_(b)

- LIST-4**
- 1 #5 X 23'-0" @12" T SW_(a)
 - 1 #5 X 19'-6" @12" alt.
 - 1 #5 X 28'-3" @12" T SW
 - 1 #5 X 27'-3" @12" alt.(b)

- LIST-5**
- 1 #5 X 12'-0" @12" T SW_(a)
 - 1 #5 X 10'-9" @12" alt.
 - 1 #5 X 19'-6" @12" T SW
 - 1 #5 X 18'-6" @12" alt.
 - 1 #5 X 27'-6" @12" T SW
 - 1 #5 X 26'-3" @12" alt.
 - 1 #5 X 30'-0" @12" T SW
 - 1 #5 X 24'-9" @12" alt.
 - 1 #5 X 29'-3" @12" T SW_(b)

- LIST-6**
- 1 #5 X 9'-6" @12" T LW_(a)
 - 1 #5 X 6'-9" @12" alt.
 - 1 #5 X 17'-3" @12" T LW
 - 1 #5 X 14'-9" @12" T LW
 - 1 #5 X 19'-6" @12" T LW
 - 1 #5 X 14'-3" @12" T LW_(b)

- LIST-7**
- 1 #5 X 23'-3" @12" T SW_(a)
 - 1 #5 X 23'-0" @12" T SW
 - 1 #5 X 23'-9" @12" T SW
 - 1 #5 X 24'-0" @12" T SW
 - 1 #5 X 24'-3" @12" T SW
 - 1 #5 X 24'-9" @12" T SW
 - 1 #5 X 24'-6" @12" T SW
 - 1 #5 X 24'-3" @12" T SW
 - 1 #5 X 24'-9" @12" T SW
 - 1 #5 X 25'-0" @12" T SW
 - 1 #5 X 25'-3" @12" T SW
 - 1 #5 X 25'-6" @12" T SW
 - 1 #5 X 25'-9" @12" T SW
 - 1 #5 X 26'-0" @12" T SW_(b)



Drawing Sheet: 8-03A

Bar Mark	Qty	Size	Total Length	Type	X	Y	Z	BAR LIST
4A01	810	#4	4'-0"	17				
5A10a	6	#5	21'-8"					
Notes To:								
5A10f	3	#5	22'-1"					
5A11	7	#5	5'-2"	20				
5A12a	9	#5	24'-10"					
Notes To:								
5A12b	7	#5	25'-0"					
5A13a	9	#5	14'-7"					
Notes To:								
5A13c	6	#5	14'-9"					

LAP SCHEDULE FOR SOG (4000 PSI)

SIZE	LENGTH
#3	14"
#4	19"
#5	24"
#6	29"
#7	46"
#8	60"
#9	76"
#10	97"
#11	120"

ABBREVIATIONS

CORNER BAR	COR.
VERTICAL	V
DOWEL	DWL.
TOP&BOTTOM	T&B
CONTINUOUS	CONT.
ALTERNATE	alt.
SHORT WAY	SW
LONG WAY	LW
TOP OF SLAB	T.O.S

- NOTES:-**
- TYPICAL CLEARANCES
SLAB
A) TOP - 3"
B) SIDE - 3"
C) BOTTOM - 3"
 - A/E/C PLEASE VERIFY THE ALL CLOUDED ITEMS
 - PROVIDE FIELD CUT AS REQUIRED LOCATIONS
 - BAR TO BE PLACED AT EQUAL SPACING U.O.N.
 - TILT HOOK TO ACCOMMODATE THE COVER, IF NEEDED

ALL BARS ARE ASTM A615 GRADE 60 BLACK